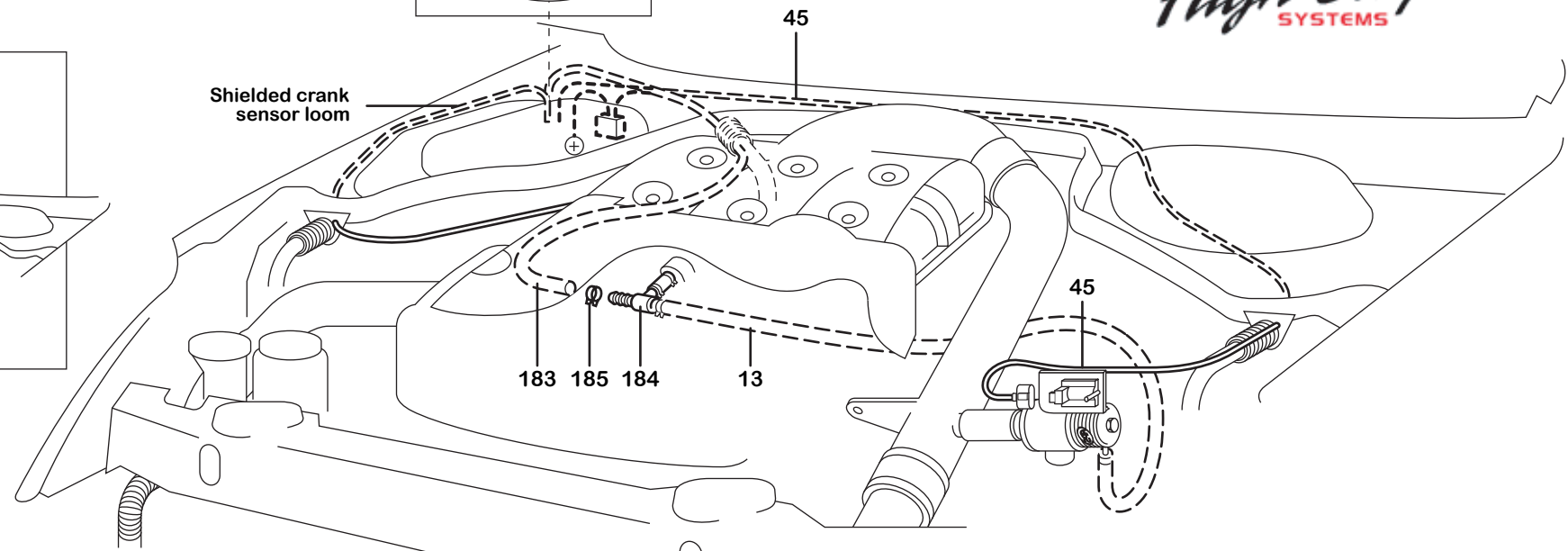
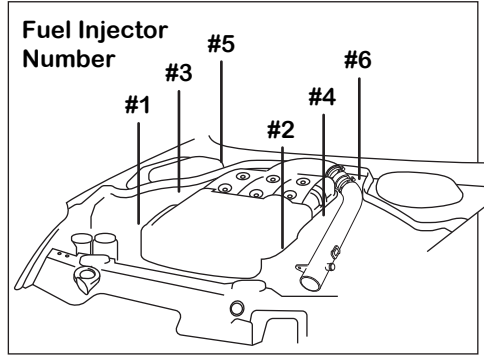
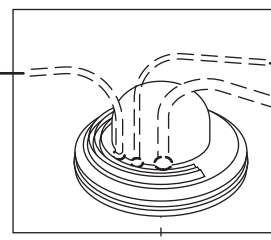


Model No: **APS350Z-FSS/08** 29/07/05
 Description: **FUEL SUPPLY SYSTEM - Page 1**
 Application: **NISSAN 350Z**



VIEW OF STOCK ECU AND APS COMPUTER UNDER RHS DASH

